

PE4220

**SPDT UltraCMOS™ RF Switch
DC - 2500 MHz**

Features

- Single 3-volt power supply
- Very low insertion loss: 0.25 dB at 1000 MHz
- High isolation: 37 dB at 1.0 GHz
- Typical input 1 dB compression point of +22.5 dBm
- Single-pin CMOS or TTL logic control
- Packaged in a small 8-lead MSOP

Product Description

The PE4220 UltraCMOS™ RF Switch is designed to cover a broad range of applications from near DC to 2500 MHz. This single-supply switch integrates on-board CMOS control logic driven by a simple, single-pin CMOS or TTL compatible control input. Using a nominal +3-volt power supply, a typical input 1 dB compression point of +22 dBm can be achieved. The PE4220 also exhibits input-output isolation of better than 37 dB at 1000 MHz and is offered in a small 8-lead MSOP package.

The PE4220 UltraCMOS™ RF Switch is manufactured in Peregrine's patented Ultra Thin Silicon (UTSi®) CMOS process, offering the performance of GaAs with the economy and integration of conventional CMOS.

Figure 1. Functional Diagram

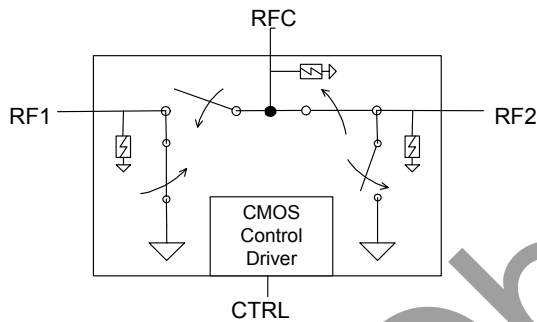


Figure 2. Package Type

8-lead MSOP



Table 1. Electrical Specifications @ +25 °C, V_{DD} = 3 V (Z_S = Z_L = 50 Ω)

| Parameter | Conditions | Minimum | Typical | Maximum | Units |
|----------------------------------|-----------------------------------|---------|---------|---------|------------------|
| Operating Frequency ¹ | | DC | | 2500 | MHz |
| Insertion Loss | 1000 MHz | | 0.25 | 0.35 | dB |
| Isolation – RFC to RF1/RF2 | 1000 MHz | 34.5 | 37 | | dB |
| Isolation – RF1 to RF2 | 1000 MHz | 34 | 35 | | dB |
| Return Loss | 1000 MHz | 17.5 | 19 | | dB |
| 'ON' Switching Time | CTRL to 0.1 dB final value, 2 GHz | | 200 | | ns |
| 'OFF' Switching Time | CTRL to 25 dB isolation, 2 GHz | | 90 | | ns |
| Video Feedthrough ² | | | 5.0 | | mV _{pp} |
| Input 1 dB Compression | 2000 MHz | 20 | 22.5 | | dBm |
| Input IP3 | 2000 MHz, 8 dBm | 42 | 43.5 | | dBm |

Notes: 1. Device linearity will begin to degrade below 10 MHz.

2. The DC transient at the output of any port of the switch when the control voltage is switched from Low to High or High to Low in a 50Ω test set-up, measured with 1ns risetime pulses and 500 MHz bandwidth.

Figure 3. Pin Configuration (Top View)

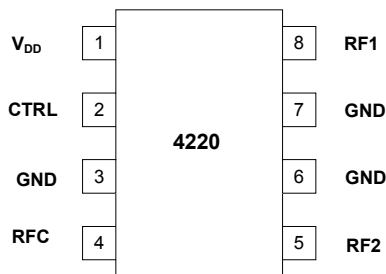


Table 2. Pin Descriptions

| Pin No. | Pin Name | Description |
|---------|-----------------|---|
| 1 | V _{DD} | Nominal 3 V supply connection. A bypass capacitor (100 pF) to the ground plane should be placed as close as possible to the pin |
| 2 | CTRL | CMOS or TTL logic level: High = RFC to RF1 signal path Low = RFC to RF2 signal path |
| 3 | GND | Ground connection. Traces should be physically short and connected to ground plane for best performance. |
| 4 | RFC | Common RF port for switch (Note 1) |
| 5 | RF2 | RF2 port (Note 1) |
| 6 | GND | Ground connection. Traces should be physically short and connected to ground plane for best performance. |
| 7 | GND | Ground connection. Traces should be physically short and connected to ground plane for best performance. |
| 8 | RF1 | RF1 port (Note 1) |

Note 1: All RF pins must be DC blocked with an external series capacitor or held at 0 V_{DC}.

Table 3. DC Electrical Specifications

| Parameter | Min | Typ | Max | Units |
|---|----------------------|-----|----------------------|-------|
| V _{DD} Power Supply Voltage | 2.7 | 3.0 | 3.3 | V |
| I _{DD} Power Supply Current (V _{DD} = 3V, V _{CTRL} = 3) | | 30 | 40 | μA |
| Control Voltage High | 0.7x V _{DD} | | | V |
| Control Voltage Low | | | 0.3x V _{DD} | V |

Table 4. Absolute Maximum Ratings

| Symbol | Parameter/Conditions | Min | Max | Units |
|------------------|--------------------------------|------|-----------------------|-------|
| V _{DD} | Power supply voltage | -0.3 | 4.0 | V |
| V _i | Voltage on any input | -0.3 | V _{DD} + 0.3 | V |
| T _{ST} | Storage temperature range | -65 | 150 | °C |
| T _{OP} | Operating temperature range | -40 | 85 | °C |
| P _{IN} | Input power (50Ω) | | 25 | dBm |
| V _{ESD} | ESD voltage (Human Body Model) | | 250 | V |

Absolute Maximum Ratings are those values listed in the above table. Exceeding these values may cause permanent device damage. Functional operation should be restricted to the limits in the DC Electrical Specifications table. Exposure to absolute maximum ratings for extended periods may affect device reliability.

Electrostatic Discharge (ESD) Precautions

When handling this UltraCMOS™ device, observe the same precautions that you would use with other ESD-sensitive devices. Although this device contains circuitry to protect it from damage due to ESD, precautions should be taken to avoid exceeding the specified rating in Table 4.

Latch-Up Avoidance

Unlike conventional CMOS devices, UltraCMOS™ devices are immune to latch-up.

Table 5. Control Logic Truth Table

| Control Voltage | Signal Path |
|-------------------------|-------------|
| CTRL = CMOS or TTL High | RFC to RF1 |
| CTRL = CMOS or TTL Low | RFC to RF2 |

Control Logic

The control logic input pin (CTRL) is typically driven by a 3-volt CMOS logic level signal, and has a threshold of 50% of V_{DD}. For flexibility to support systems that have 5-volt control logic drivers, the control logic input has been designed to handle a 5-volt logic HIGH signal. (A minimal current will be sourced out of the V_{DD} pin when the control logic input voltage level exceeds V_{DD}.)

Evaluation Kit

The SPDT Switch Evaluation Kit board was designed to ease customer evaluation of the PE4220 SPDT switch. The RF common port is connected through a 50 Ω transmission line to the top left SMA connector, J1. Port 1 and Port 2 are connected through 50 Ω transmission lines to the top two SMA connectors on the right side of the board, J3 and J4. A through transmission line connects SMA connectors J6 and J8. This transmission line can be used to estimate the loss of the PCB over the environmental conditions being evaluated.

The board is constructed of a two metal layer FR4 material with a total thickness of 0.031". The bottom layer provides ground for the RF transmission lines. The transmission lines were designed using a coplanar waveguide model with a trace width of 0.030", trace gaps of 0.007", dielectric thickness of 0.028", metal thickness of 0.0014" and ϵ_r of 4.4. Note that the predominate mode for these transmission lines is coplanar waveguide with a ground plane.

J2 provides a means for controlling DC and digital inputs to the device. Starting from the lower left pin, the second pin to the right (J2-3) is connected to the device CTRL input. The fourth pin to the right (J2-7) is connected to the device V_{DD} input. A decoupling capacitor (100 pF) is provided on both CTRL and V_{DD} traces. It is the responsibility of the customer to determine proper supply decoupling for their design application. Removing these components from the evaluation board has not been shown to degrade RF performance.

Figure 4. Evaluation Board Layout
Peregrine specification 101/0037

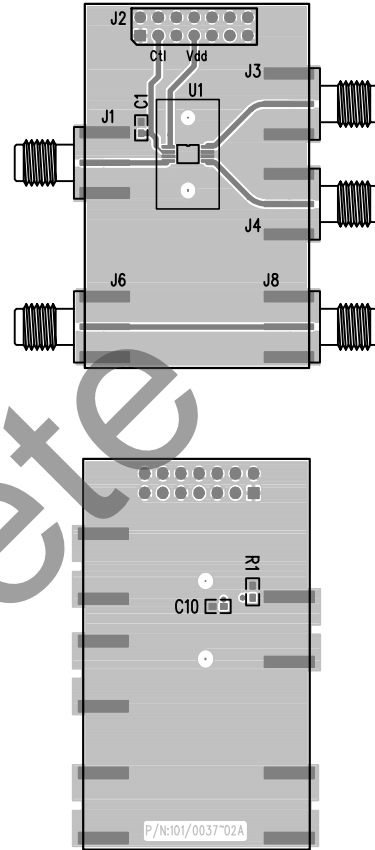
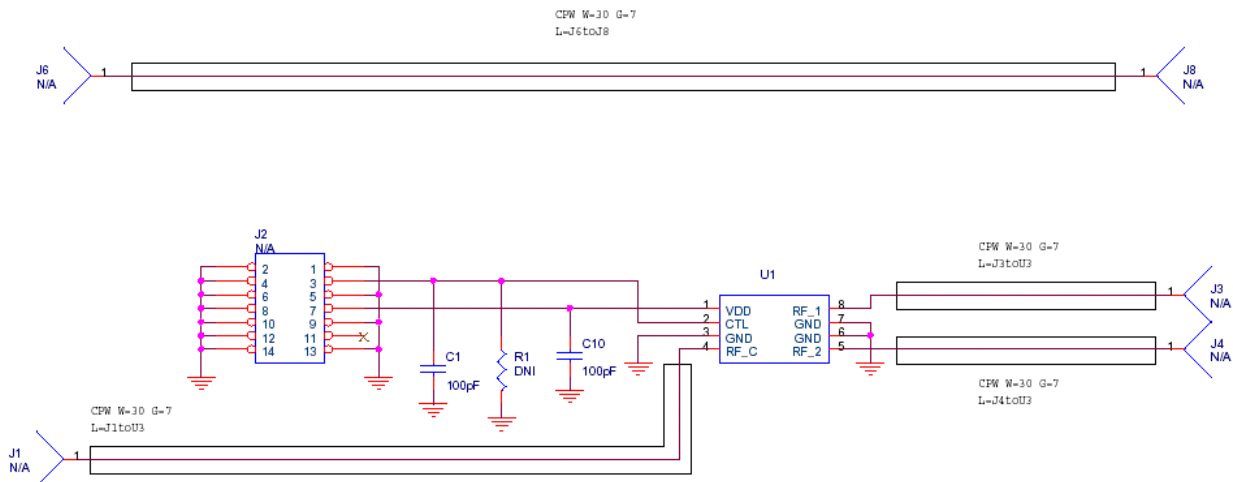


Figure 5. Evaluation Board Schematic
Peregrine specification 102/0035



Typical Performance Data @ -40 °C to 85 °C (Unless otherwise noted)

Figure 6. Insertion Loss – RFC to RF1

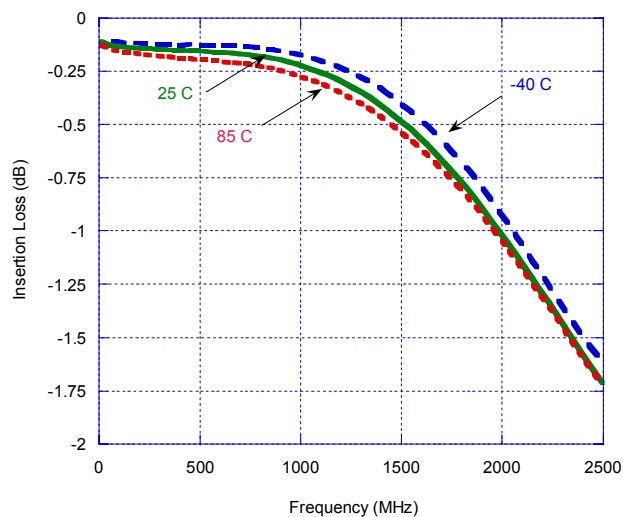


Figure 7. Input 1 dB Compression Point & IIP3

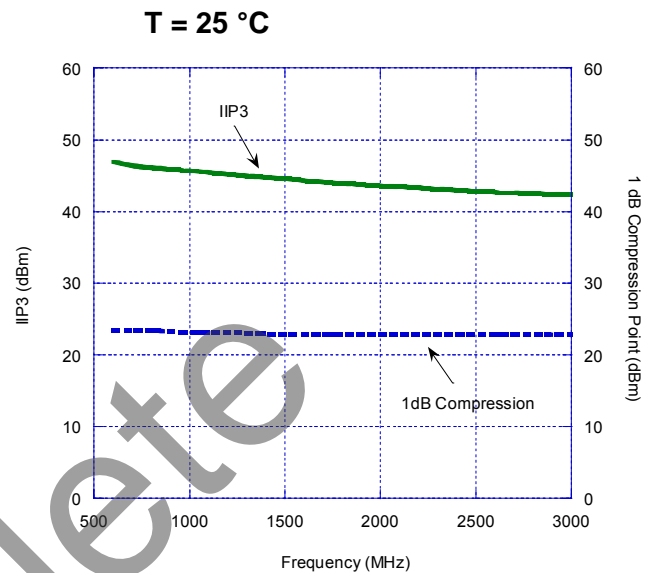


Figure 8. Insertion Loss – RFC to RF2

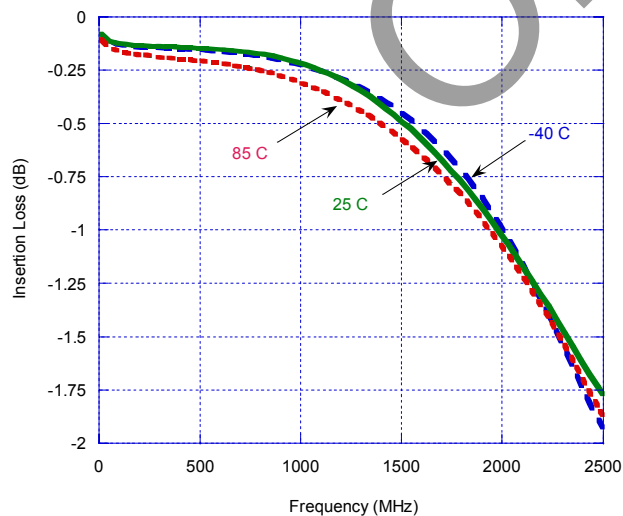
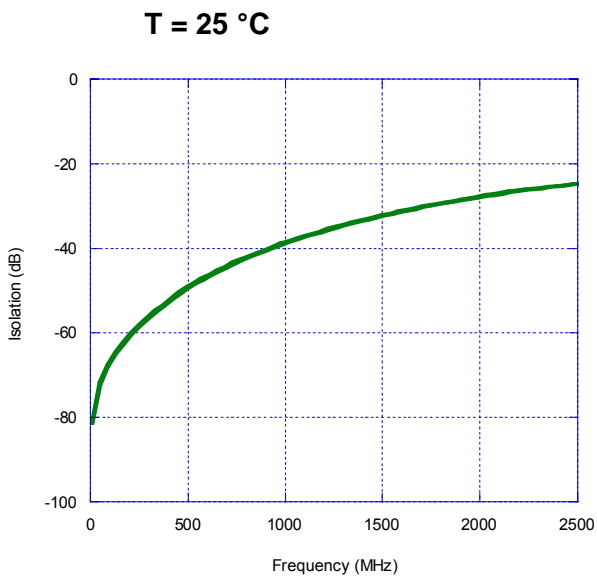


Figure 9. Isolation – RFC to RF1



Typical Performance Data @ 25 °C

Figure 10. Isolation – RFC to RF2

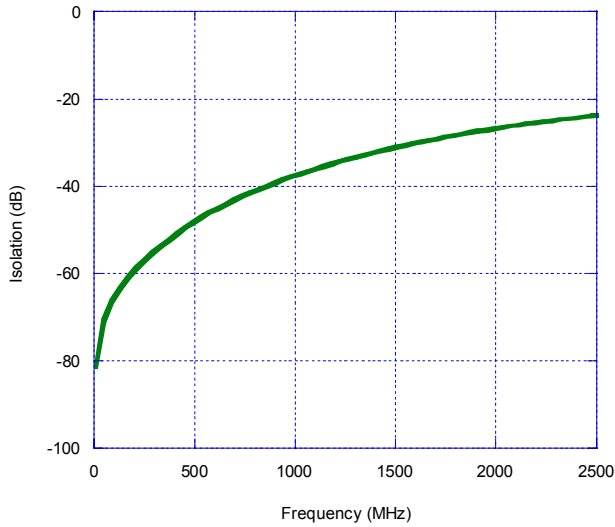


Figure 11. Isolation – RF1/RF2 to RF2/RF1

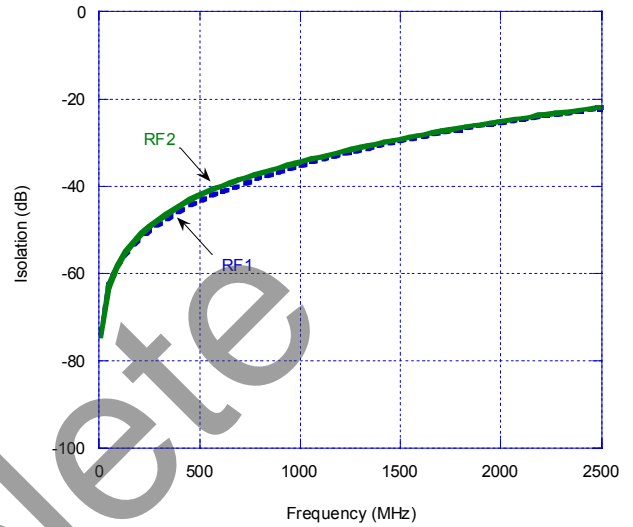


Figure 12. Return Loss – RFC

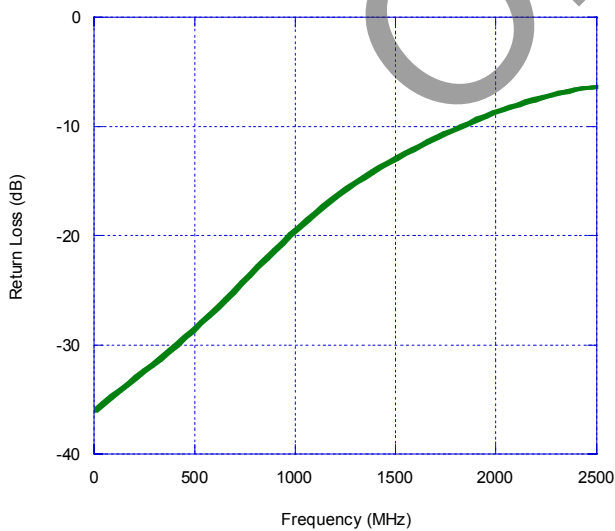


Figure 13. Return Loss – RF1, RF2

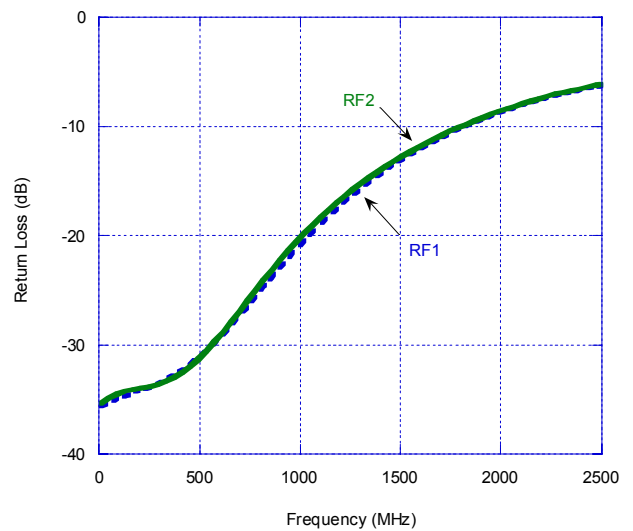


Figure 14. Package Drawing

8-lead MSOP

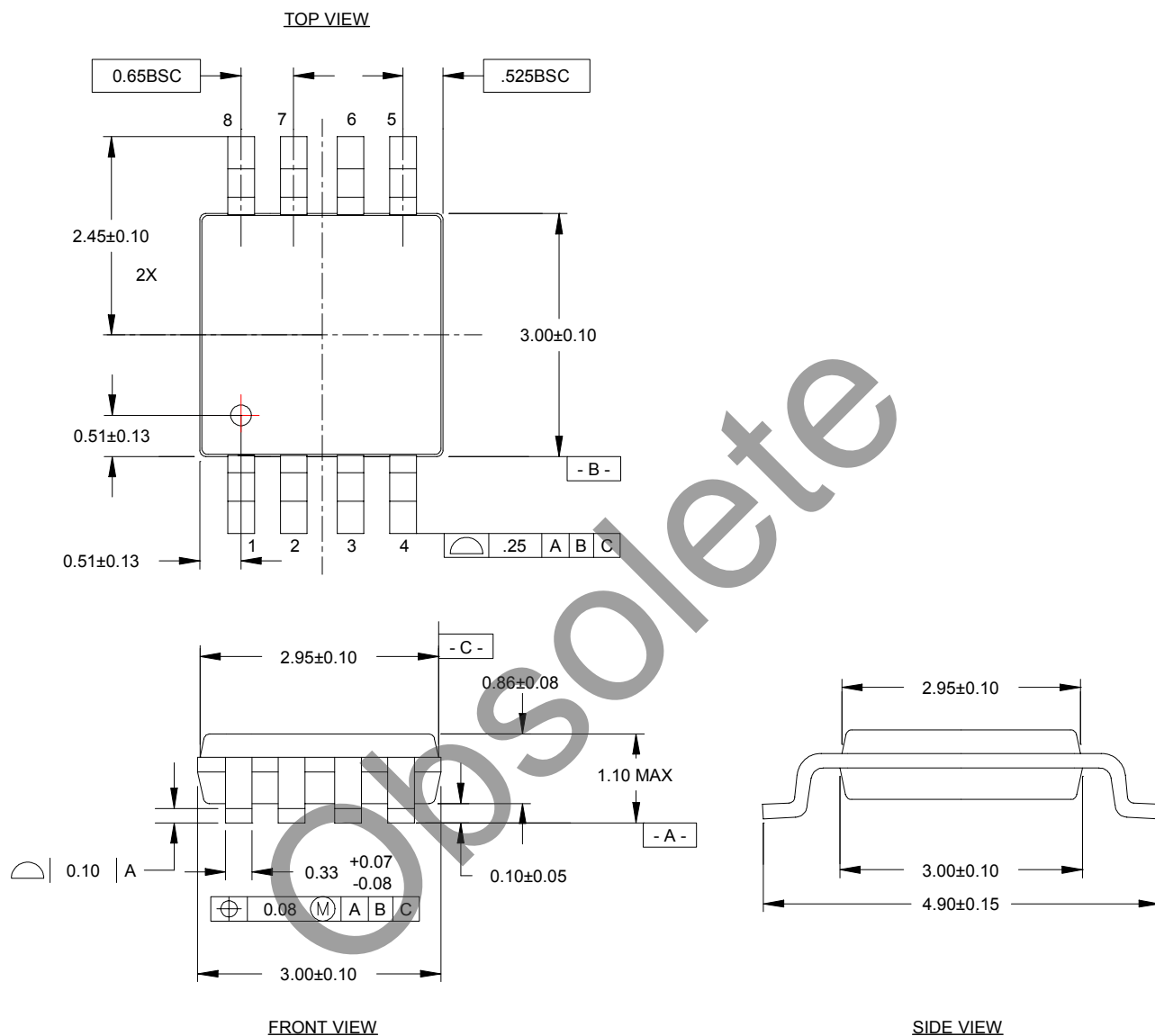


Table 6. Ordering Information

| Order Code | Part Marking | Description | Package | Shipping Method |
|------------|--------------|----------------------|-------------------|------------------|
| 4220-21 | 4220 | PE4220-08MSOP-50A | 8-lead MSOP | 50 units / Tube |
| 4220-22 | 4220 | PE4220-08MSOP-2000C | 8-lead MSOP | 2000 units / T&R |
| 4220-00 | PE4220-EK | PE4220-08MSOP-EK | Evaluation Kit | 1 / Box |
| 4220-51 | 4220 | PE4220G-08MSOP-50A | Green 8-lead MSOP | 50 units / Tube |
| 4220-52 | 4220 | PE4220G-08MSOP-2000C | Green 8-lead MSOP | 2000 units / T&R |

Sales Offices

The Americas

Peregrine Semiconductor Corp.

9450 Carroll Park Drive
San Diego, CA 92121
Tel 858-731-9400
Fax 858-731-9499

Europe

Peregrine Semiconductor Europe

Commercial Products:

Bâtiment Maine
13-15 rue des Quatre Vents
F- 92380 Garches, France
Tel: +33-1-47-41-91-73
Fax : +33-1-47-41-91-73

Space and Defense Products:

180 Rue Jean de Guiramand
13852 Aix-En-Provence cedex 3, France
Tel: +33(0) 4 4239 3361
Fax: +33(0) 4 4239 7227

North Asia Pacific

Peregrine Semiconductor K.K.

5A-5, 5F Imperial Tower
1-1-1 Uchisaiwaicho, Chiyoda-ku
Tokyo 100-0011 Japan
Tel: +81-3-3502-5211
Fax: +81-3-3502-5213

South Asia Pacific

Peregrine Semiconductor

28G, Times Square,
No. 500 Zhangyang Road,
Shanghai, 200122, P.R. China
Tel: +86-21-5836-8276
Fax: +86-21-5836-7652

For a list of representatives in your area, please refer to our Web site at: www.psemi.com

Data Sheet Identification

Advance Information

The product is in a formative or design stage. The data sheet contains design target specifications for product development. Specifications and features may change in any manner without notice.

Preliminary Specification

The data sheet contains preliminary data. Additional data may be added at a later date. Peregrine reserves the right to change specifications at any time without notice in order to supply the best possible product.

Product Specification

The data sheet contains final data. In the event Peregrine decides to change the specifications, Peregrine will notify customers of the intended changes by issuing a DCN (Document Change Notice).

The information in this data sheet is believed to be reliable. However, Peregrine assumes no liability for the use of this information. Use shall be entirely at the user's own risk.

No patent rights or licenses to any circuits described in this data sheet are implied or granted to any third party.

Peregrine's products are not designed or intended for use in devices or systems intended for surgical implant, or in other applications intended to support or sustain life, or in any application in which the failure of the Peregrine product could create a situation in which personal injury or death might occur. Peregrine assumes no liability for damages, including consequential or incidental damages, arising out of the use of its products in such applications.

The Peregrine name, logo, and UTSi are registered trademarks and UltraCMOS is a trademark of Peregrine Semiconductor Corp.