

Features

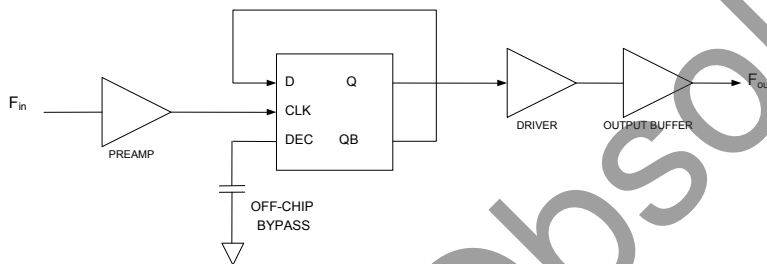
- High-frequency operation:
400 MHz to 3500 MHz
- Fixed divide ratio of 2
- Low-power operation:
12 mA typical @ 3V
- Small package: 8-lead TSSOP
- Low cost

Product Description

The PE3501 is a high-performance dynamic UltraCMOS® prescaler with a fixed divide ratio of 2. Its operating frequency range is 400 MHz to 3.5 GHz. The PE3501 operates on a nominal 3V supply and draws only 12 mA. It is packaged in a small 8-lead TSSOP and is ideal for frequency scaling and microwave PLL synthesis solutions.

The PE3501 is manufactured on Peregrine’s UltraCMOS® process, a patented variation of silicon-on-insulator (SOI) technology on a sapphire substrate, offering the performance of GaAs with the economy and integration of conventional CMOS.

Figure 1. Functional Schematic Diagram



**Figure 2. Package Type
8-lead TSSOP**

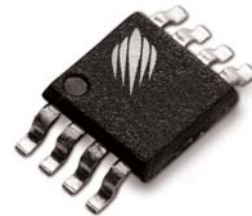
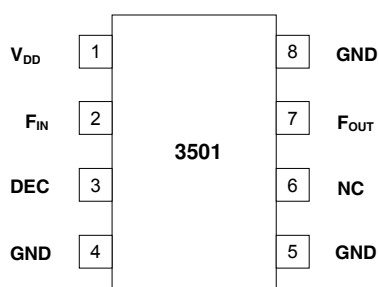


Table 1. Electrical Specifications (Z_S = Z_L = 50Ω)

V_{DD} = 3.0V, -40°C ≤ T_A ≤ 85°C, unless otherwise specified

Parameter	Condition	Minimum	Typical	Maximum	Unit
Supply voltage		2.85	3.0	3.15	V
Supply current			12	15	mA
Input frequency (F _{in})		400		3500	MHz
Input power (P _{in})	400 MHz ≤ F _{in} ≤ 3000 MHz	-10		+10	dBm
	3000 MHz < F _{in} ≤ 3500 MHz	0		+10	dBm
Output power (P _{out})	400 MHz ≤ F _{in} ≤ 3000 MHz	-10			dBm
	3000 MHz < F _{in} ≤ 3500 MHz	-15			dBm

Figure 3. Pin Configuration (Top View)

Table 2. Pin Descriptions

Pin No.	Pin Name	Description
1	V _{DD}	Power supply pin. Bypassing is required.
2	F _{in}	Input signal pin. DC blocking capacitor required (15 pF typical)
3	DEC	Power supply decoupling pin. Place a capacitor as close as possible and connect directly to the ground plane.
4	GND	Ground pin. Ground pattern on the board should be as wide as possible to reduce ground impedance.
5	GND	Ground pin.
6	NC	No Connection. This pin should be left open.
7	F _{out}	Divided frequency output pin. DC blocking capacitor required (47 pF typical)
8	GND	Ground pin.

Table 3. Absolute Maximum Ratings

Symbol	Parameter/Condition	Min	Max	Unit
V _{DD}	Supply voltage		4.0	V
P _{in}	Input power		15	dBm
T _{ST}	Storage temperature range	-65	150	°C
T _{OP}	Operating temperature range	-40	85	°C
V _{ESD}	ESD voltage (Human Body Model)		200	V

Exceeding absolute maximum ratings may cause permanent damage. Operation should be restricted to the limits in the Operating Ranges table. Operation between operating range maximum and absolute maximum for extended periods may reduce reliability.

Electrostatic Discharge (ESD) Precautions

When handling this UltraCMOS[®] device, observe the same precautions that you would use with other ESD-sensitive devices. Although this device contains circuitry to protect it from damage due to ESD, precautions should be taken to avoid exceeding the rating specified in *Table 3*.

Latch-Up Avoidance

Unlike conventional CMOS devices, UltraCMOS[®] devices are immune to latch-up.

Device Functional Considerations

The PE3501 divides a 400 MHz to 3500 MHz input signal by two, producing a 200 MHz to 1750 MHz output signal. To work properly, pin 3 must be supplied with a bypass capacitor to ground. In addition, the input and output signals (pins 2 & 7) must be AC coupled via an external capacitor, as shown in the test circuit in *Figure 4*.

The ground pattern on the board should be made as wide as possible to minimize ground impedance. See *Figure 11* for a layout example.

Figure 4. Test Circuit Block Diagram

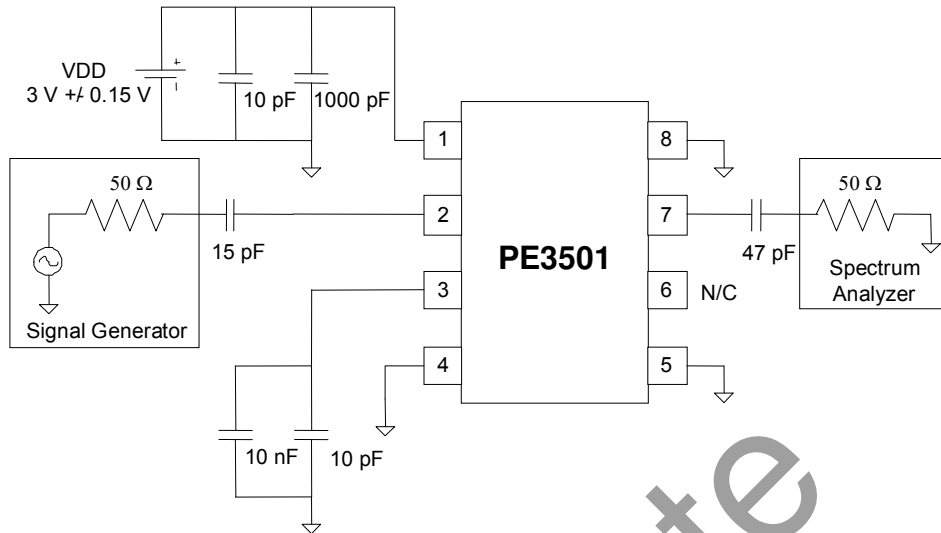
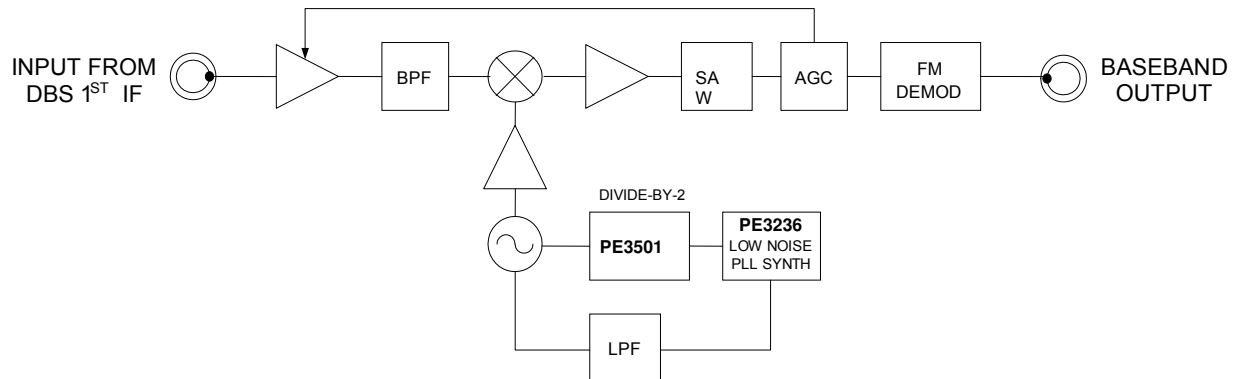


Figure 5. High Frequency System Application

The wideband frequency of operation of the PE3501 makes it an ideal part for use in a DBS down-converter system.



Typical Performance Data

Figure 6. Input Sensitivity

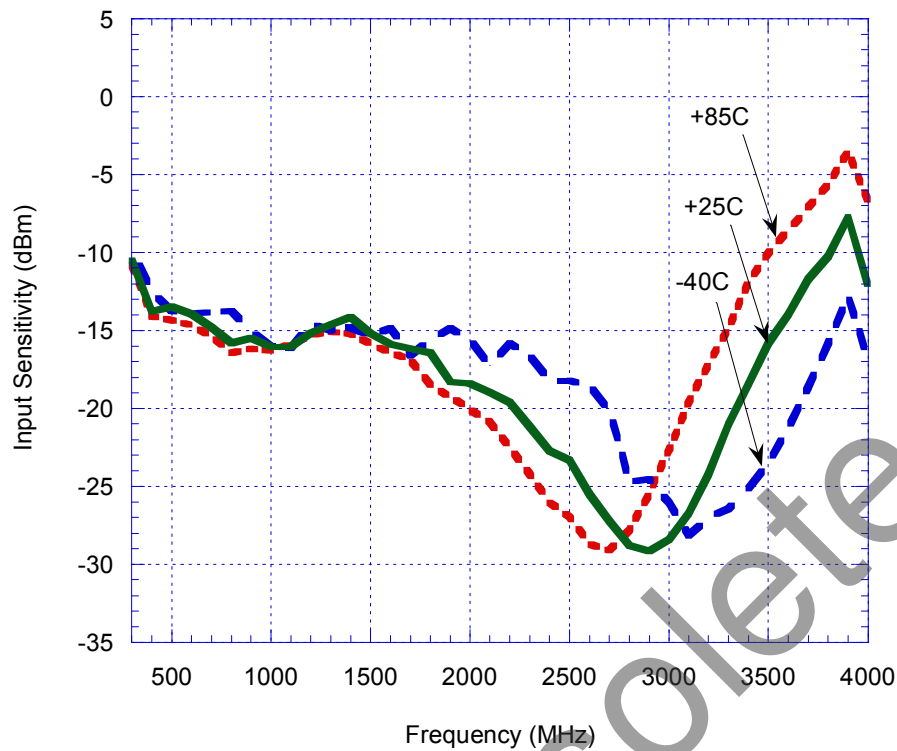


Figure 7. Output Power

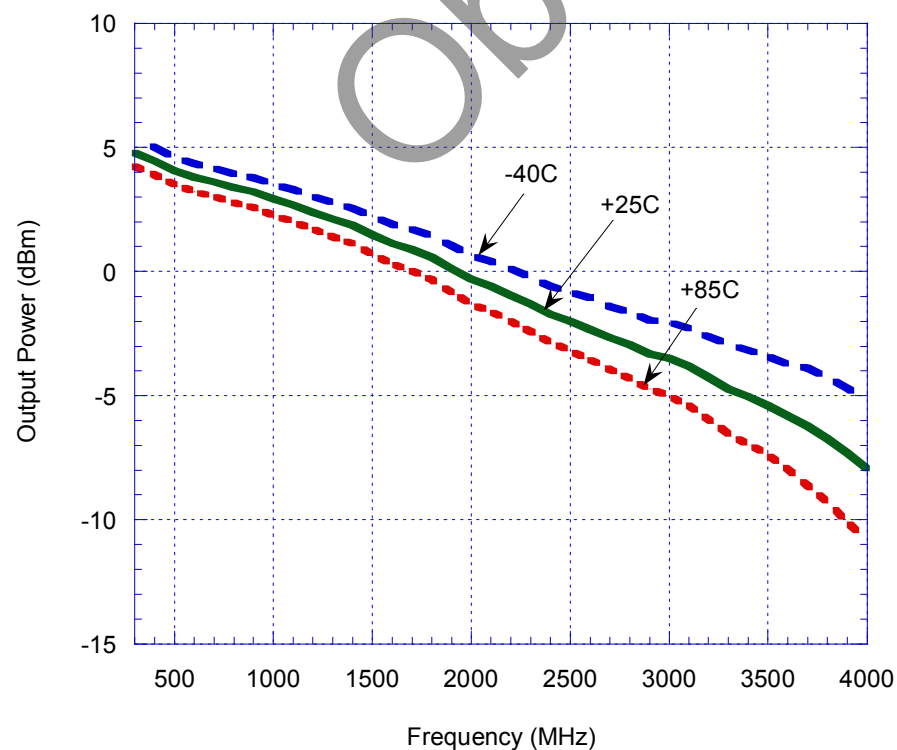


Table 4. S11

Input Freq (GHz)	S11 Magnitude (dB)	S11 Angle (deg)
0.4	-0.5523	-9.337
0.5	-0.6707	-11.253
0.6	-0.806	-13.193
0.7	-0.9642	-14.8
0.8	-1.109	-15.929
0.9	-1.1263	-17.103
1.0	-1.152	-18.594
1.1	-1.1703	-20.722
1.2	-1.2353	-22.915
1.3	-1.4078	-25.66
1.4	-1.6207	-28.199
1.5	-1.8965	-30.249
1.6	-2.1032	-31.079
1.7	-1.9731	-32.514
1.8	-1.8229	-36.258
1.9	-1.8517	-40.604
2.0	-2.0308	-44.918
2.1	-2.1353	-48.91
2.2	-2.2884	-53.156
2.3	-2.397	-56.979
2.4	-2.4811	-61.184
2.5	-2.5498	-64.955
2.6	-2.6367	-68.656
2.7	-2.655	-72.265
2.8	-2.7216	-75.379
2.9	-2.691	-78.326
3.0	-2.6813	-80.734
3.1	-2.6933	-82.87
3.2	-2.6638	-84.784
3.3	-2.6461	-86.468
3.4	-2.6266	-87.788
3.5	-2.5917	-89.118

Table 5. S22

Output Freq (GHz)	S22 Magnitude (dB)	S22 Angle (deg)
0.20	-8.7615	26.726
0.25	-8.2705	21.393
0.30	-7.7885	16.647
0.35	-7.6058	10.297
0.40	-7.7922	6.2004
0.45	-8.2309	2.4335
0.50	-8.5583	-0.3158
0.55	-8.8751	-0.2458
0.60	-8.8599	-3.0515
0.65	-9.1496	-2.6752
0.70	-8.8648	-6.0631
0.75	-9.0828	-5.7925
0.80	-9.2022	-6.8019
0.85	-9.2727	-9.3617
0.90	-9.6494	-12.806
0.95	-9.4383	-14.454
1.00	-9.5217	-16.286
1.05	-9.6043	-19.118
1.10	-9.7282	-23.597
1.15	-9.8069	-25.461
1.20	-9.8221	-29.038
1.25	-9.8694	-32.629
1.30	-9.8693	-34.669
1.35	-9.8667	-40.785
1.40	-9.8509	-43.139
1.45	-9.9141	-46.745
1.50	-9.7063	-51.695
1.55	-9.8686	-54.805
1.60	-9.4836	-56.589
1.65	-9.4498	-62.744
1.70	-9.3233	-66.237
1.75	-9.2206	-66.07

Figure 8. S11 vs. Input Frequency ($V_{DD} = 3\text{ V}$)

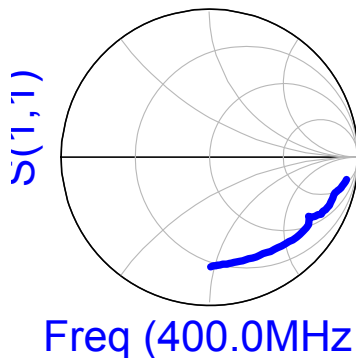
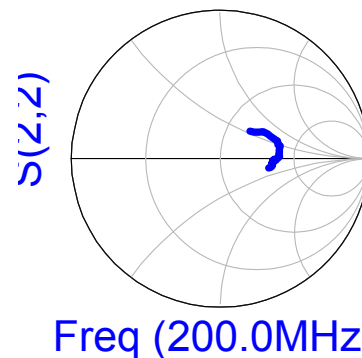


Figure 9. S22 vs. Output Frequency ($V_{DD} = 3\text{ V}$)



Evaluation Kit

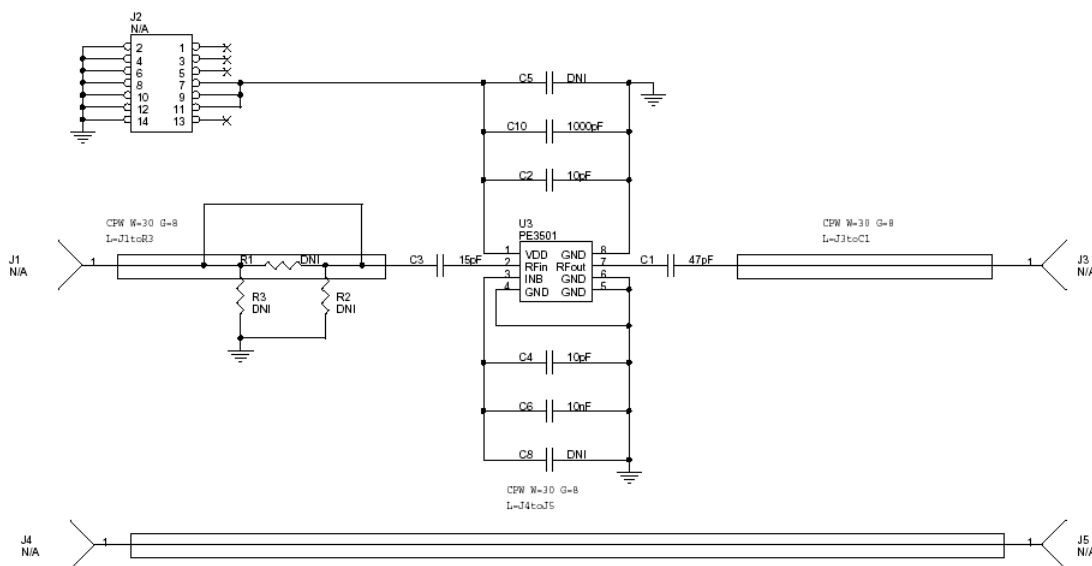
Evaluation Kit Operation

The TSSOP Prescaler Evaluation Board was designed to help customers evaluate the PE3501 Divide-by-2 Prescaler. On this board, the device input (pin 2) is connected to connector J1 through a 50Ω transmission line. A series capacitor (C1) provides the necessary DC block for the device input. It is important to note that the value of this capacitance will impact the performance of the device. A value of 15 pF was found to be optimal for this board layout; other applications may require a different value.

The device output (pin 7) is connected to connector J3 through a 50Ω transmission line. A series capacitor (C2) provides the necessary DC block for the device output. Note that this capacitor must be chosen to have a low impedance at the desired output frequency the device. The value of 47 pF was chosen to provide a wide operating range for the evaluation board.

The board is constructed of a two-layer FR4 material with a total thickness of 0.031". The bottom layer provides ground for the RF transmission lines. The transmission lines were designed using a coplanar waveguide above ground plane model with trace width of 0.030", trace gaps of 0.007", dielectric thickness of 0.028", metal thickness of 0.0014" and ϵ_r of 4.4. Note that the predominate mode for these transmission lines is coplanar waveguide.

J2 provides DC power to the device. Starting from the lower left pin, the second pin to the right (J2-3) is connected to the device V_{DD} pin (1). Two decoupling capacitors (10 pF, 1000 pF) are included on this trace.



It is the responsibility of the customer to determine proper supply decoupling for their design application.

The DEC pin (3) must be connected to a low impedance AC ground for proper device operation. On the board, two decoupling capacitors ($C6 = 10 \text{ nF}$, $C4 = 10 \text{ pF}$), located on the back of the board, perform this function.

Applications Support

If you have a problem with your evaluation kit or if you have applications questions, please contact applications support:

E-Mail: help@psemi.com (fastest response)
Phone: (858) 731-9400

Figure 10. Evaluation Board Layouts

Peregrine Specification 101/0035

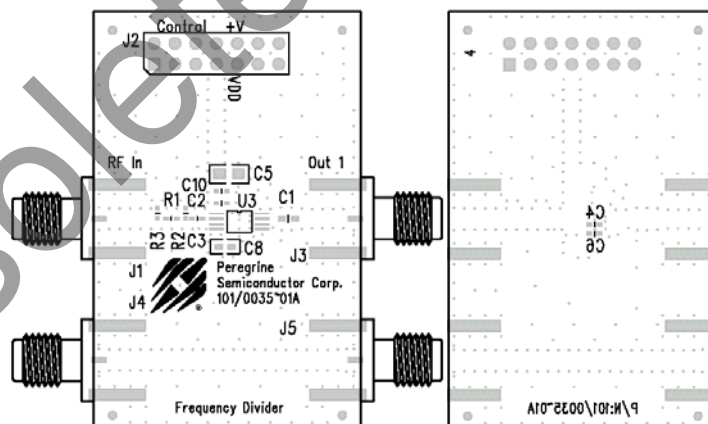


Figure 11. Evaluation Board Schematic

Peregrine Specification 102/0013

Figure 12. Package Drawing
8-lead TSSOP

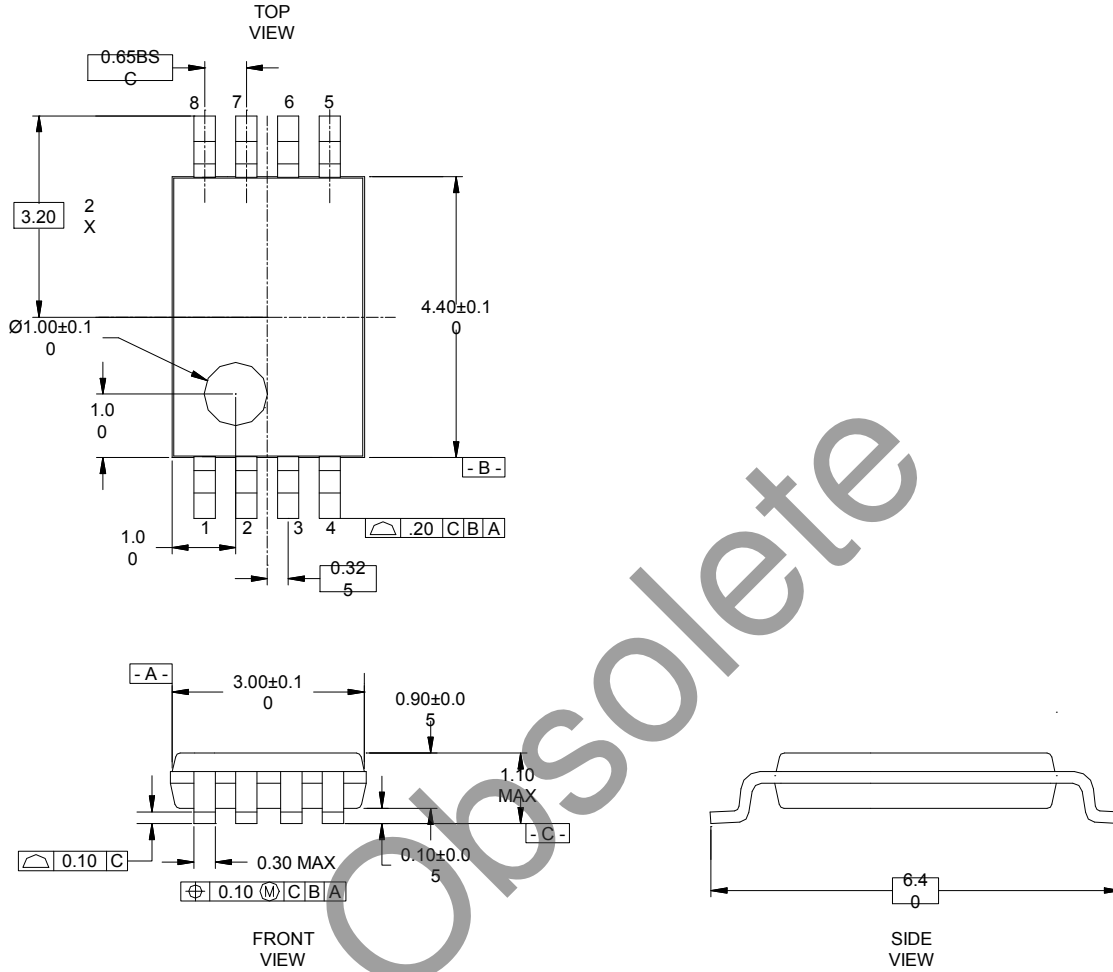


Figure 13. Tape and Reel Specification

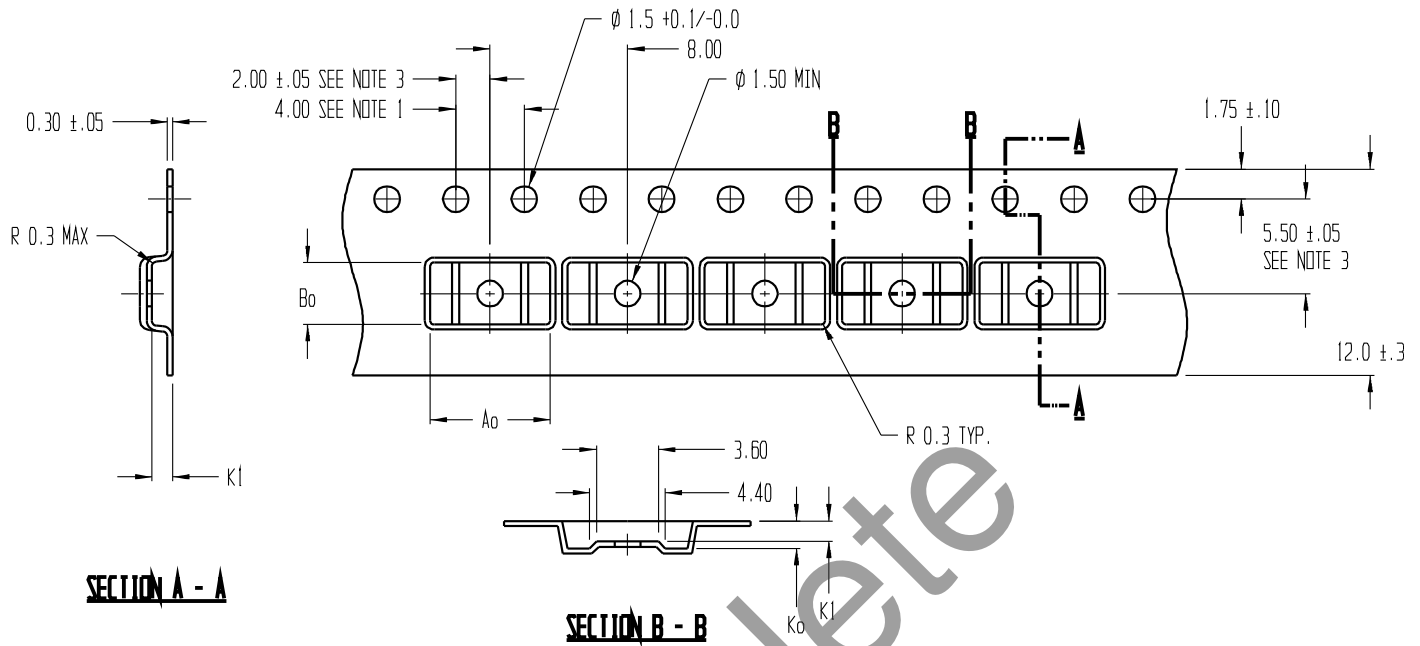


Table 4. Ordering Information

Order Code	Part Marking	Description	Package	Shipping Method
3501-52	PE3501	PE3501-08TSSOP-2000C	8-lead TSSOP	2000 units / T&R

Sales Contact and Information

For sales and contact information please visit www.psemi.com.

Advance Information: The product is in a formative or design stage. The datasheet contains design target specifications for product development. Specifications and features may change in any manner without notice.
Preliminary Specification: The datasheet contains preliminary data. Additional data may be added at a later date. Peregrine reserves the right to change specifications at any time without notice in order to supply the best possible product.
Product Specification: The datasheet contains final data. In the event Peregrine decides to change the specifications, Peregrine will notify customers of the intended changes by issuing a CNF (Customer Notification Form).

The information in this datasheet is believed to be reliable. However, Peregrine assumes no liability for the use of this information. Use shall be entirely at the user's own risk.

No patent rights or licenses to any circuits described in this datasheet are implied or granted to any third party. Peregrine's products are not designed or intended for use in devices or systems intended for surgical implant, or in other applications intended to support or sustain life, or in any application in which the failure of the Peregrine product could create a situation in which personal injury or death might occur. Peregrine assumes no liability for damages, including consequential or incidental damages, arising out of the use of its products in such applications.

The Peregrine name, logo, UltraCMOS and UTSi are registered trademarks and HaRP, MultiSwitch and DuNE are trademarks of Peregrine Semiconductor Corp. Peregrine products are protected under one or more of the following U.S. Patents: <http://patents.psemi.com>.