

6

5

4

3

2

1

D

D

C

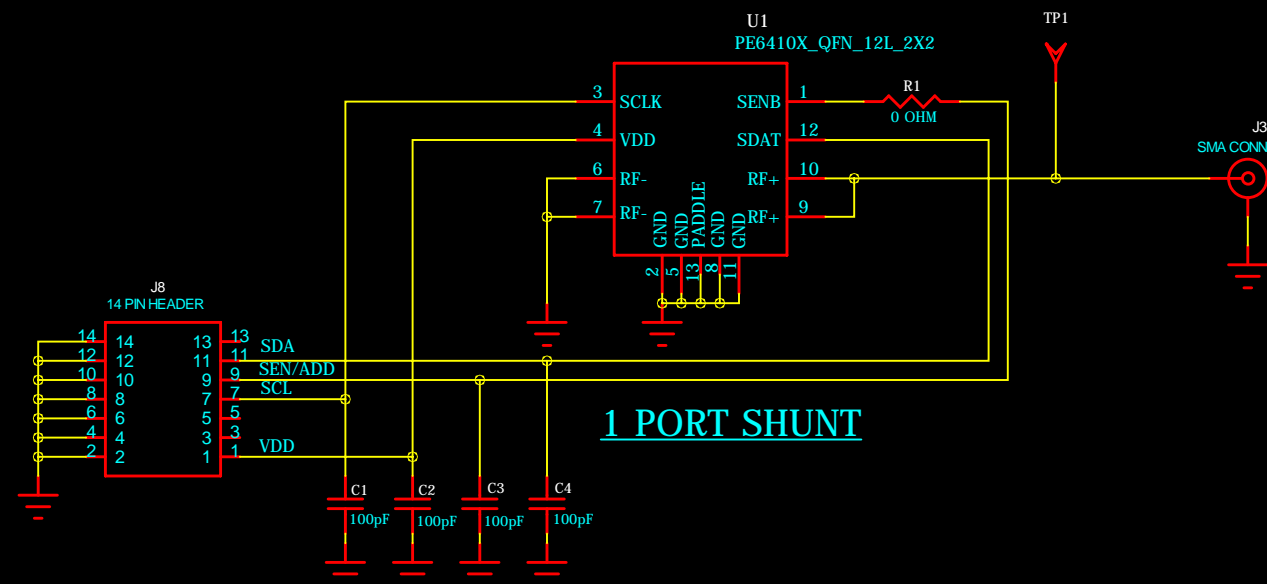
C

B

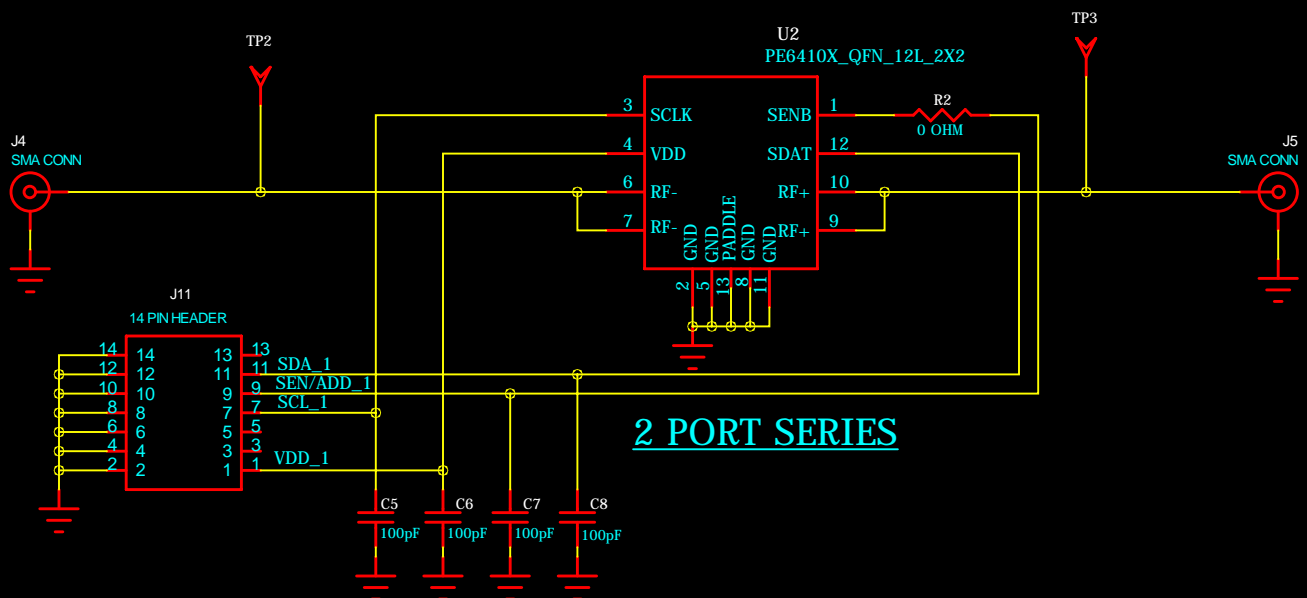
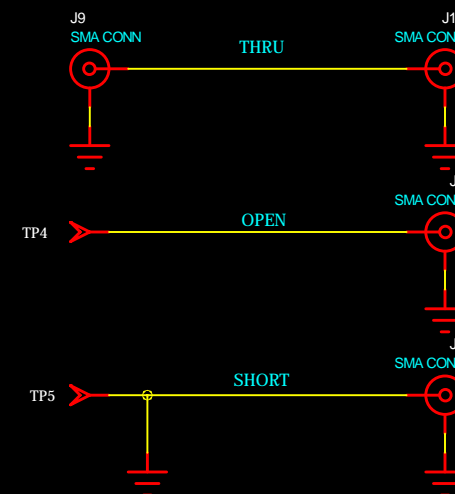
B

A

A



1 PORT SHUNT



2 PORT SERIES

NOTES:

1. USE 101-0660-01 PCB PART NUMBER.

COMPANY: PEREGRINE SEMICONDUCTOR

TITLE: SCHEMATIC, DTC EVALUATION BOARD

DRAWN: S. Johnson	DATED: 12-28-11
CHECKED: Tero Ranta	DATED: 12-28-11
QUALITY CONTROL:	DATED:
RELEASED:	DATED:

CODE:	SIZE: B	DRAWING NO: 102-0782	REV: 01
SCALE:		SHEET: 1 of 1	

Item	Qty	Reference	Value	PEREGRINE PART NUMBER	Part	Manufacturer	Manufacturer Part Number	Distributor	Distributor Part Number	Data Sheet	Notes
1	8	C1-8	100pF		Capacitor,	TDK	C1608C0G1H101J	Digi-Key	445-1281-1-ND	http://search.digikey.com/	DO NOT INSTALL
2	2	J8 J11	14 PIN HEADER		CONN,	Sullins Electronics Corp.	PZC36DABN	Digi-Key	S2021-36-ND	http://rocky.digikey.com/W	Cut to 14 Pin Header
3	2	U1-2	DFN_10L_2X2			PEREGRINE	PE62303 DTC				DFN_10L_2X2
4	2	R1-2	0 OHM		RESISTOR, 0	VISHAY	CRCW04020000Z0ED	DIGIKEY	541-0.0JTR-ND	http://search.digikey.com/	
5	7	J1-5 J9-10	SMA CONN		CONN, SMA,	Johnson Components Inc.	142-0701-801	Digi-Key	J502-ND	http://rocky.digikey.com/W	
6	5	TP1-5	Test Point		TEST POINT,						
7	1	PCB	PE6410x DTC EVK	101-0660-01		Fine Circuits					