

6

5

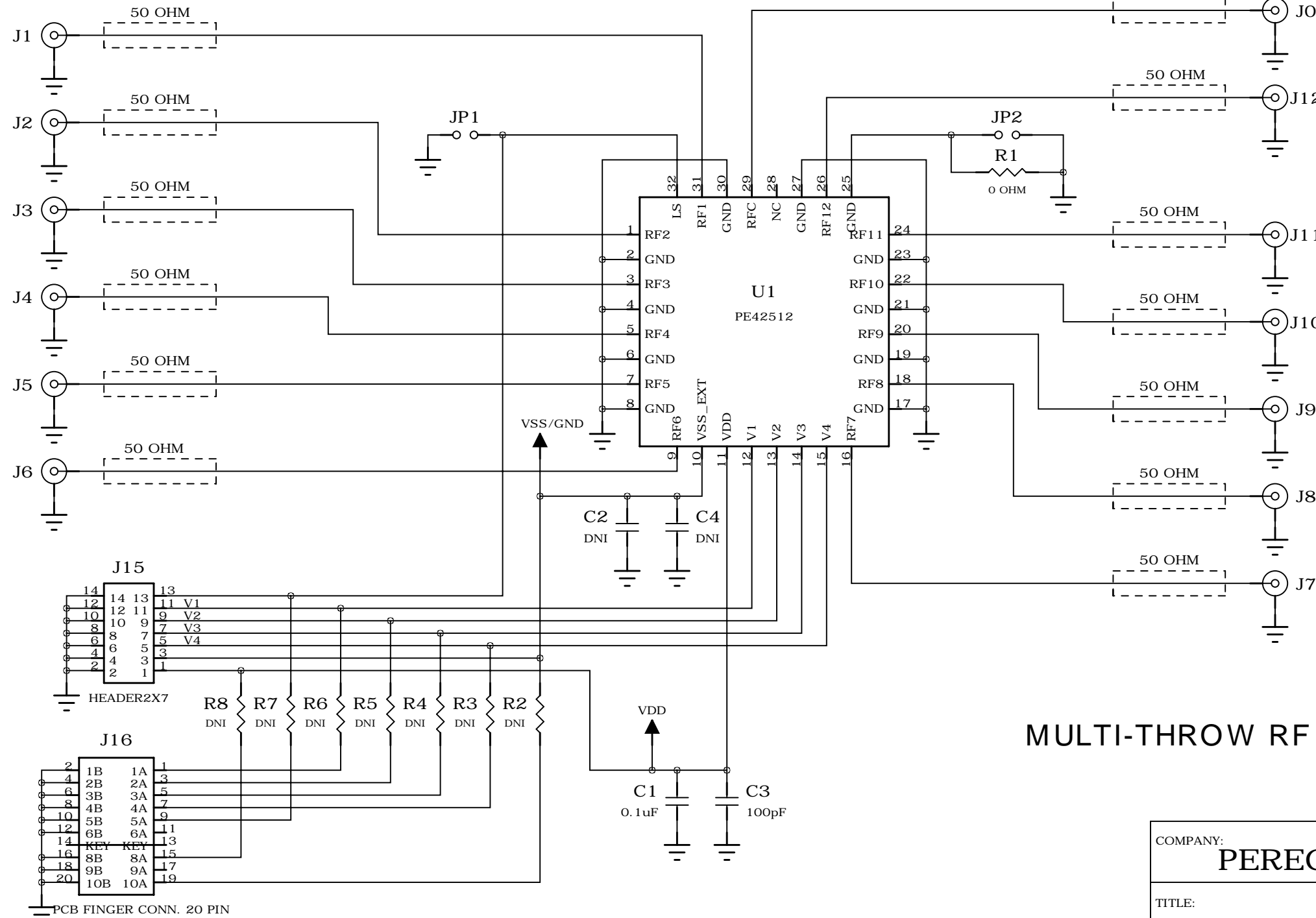
4

3

2

1

REVISION RECORD			
LTR	ECO NO:	APPROVED:	DATE:



MULTI-THROW RF SWITCH

COMPANY: PEREGRINE SEMICONDUCTOR			
TITLE: SCHEMATIC, PE42512 EVK			
CODE: 5BMR7	SIZE: B	DRAWING NO: DOC-76013	REV: 02
SCALE:			SHEET: 1 OF 1

NOTES:

1: Contains Parts and Assemblies susceptible to damage by electrostatic discharge (ESD)

DRAWN: R.PROAL	DATED: 06-10-16
CHECKED: P. SHANJANI	DATED: 06-10-16
QUALITY CONTROL:	DATED:
RELEASED:	DATED:

D

D

C

C

B

B

A

A

Item	Qty	Reference	Description	Value	Manufacturer	Manufacturer Part Number	Distributor	Distributor Part Number	Notes
1	15	J0-14	CONN SMA JACK 50 OHM EDGE MNT		Cinch Johnson	142-0761-881	Digi-Key	J801-ND	.010 Pin Diameter (for use with .008 - .014 dielectrics)
2	1	J16	PCB FINGER CONNECTOR, 20 PIN	PCB FINGER CONN. 20 PIN					
3	1	C3	CAP CER 100PF 50V NP0 0402	100pF	muRata	GRM1555C1H101JA01D	Digi-Key	490-5922-1-ND	
4	1	C4	CAP CER 100PF 50V NP0 0402	DNI	muRata	GRM1555C1H101JA01D	Digi-Key	490-5922-1-ND	DNI
5	1	C1	CAP CER 0.1UF 50V X7R 0402	0.1uF	muRata	GRM155R71H104KE14D	Digi-Key	490-10700-1-ND	
6	1	C2	CAP CER 0.1UF 50V X7R 0402	DNI	muRata	GRM155R71H104KE14D	Digi-Key	490-10700-1-ND	DNI
7	1	J15	CONN HEADER .100 DUAL STR 72POS		Sullins Connector Solutions	PZC36DABN	Digi-Key	S2021-36-ND	CUT TO FIT 2X7
8	2	JP1-2	2 POS HDR 0.100" (2.54mm)		Sullins Connector Solutions	PZC02SAAN	Digi-Key	S1011-02-ND	
9	1	U1	IC PE42512	PE42512	Peregrine Semiconductor	PE42512			
10	1	R1	RES SMD 0.0OHM JUMPER 1/16W 0402	0 OHM	Vishay Dale	CRCW04020000Z0ED	Digi-Key	541-0.0JCT-ND	
11	7	R2-8	RES SMD 0.0OHM JUMPER 1/16W 0402	DNI	Vishay Dale	CRCW04020000Z0ED	Digi-Key	541-0.0JCT-ND	DNI
12	1		PCB, SP12T		Peregrine Semiconductor	PRT-66124-02			