

6

5

4

3

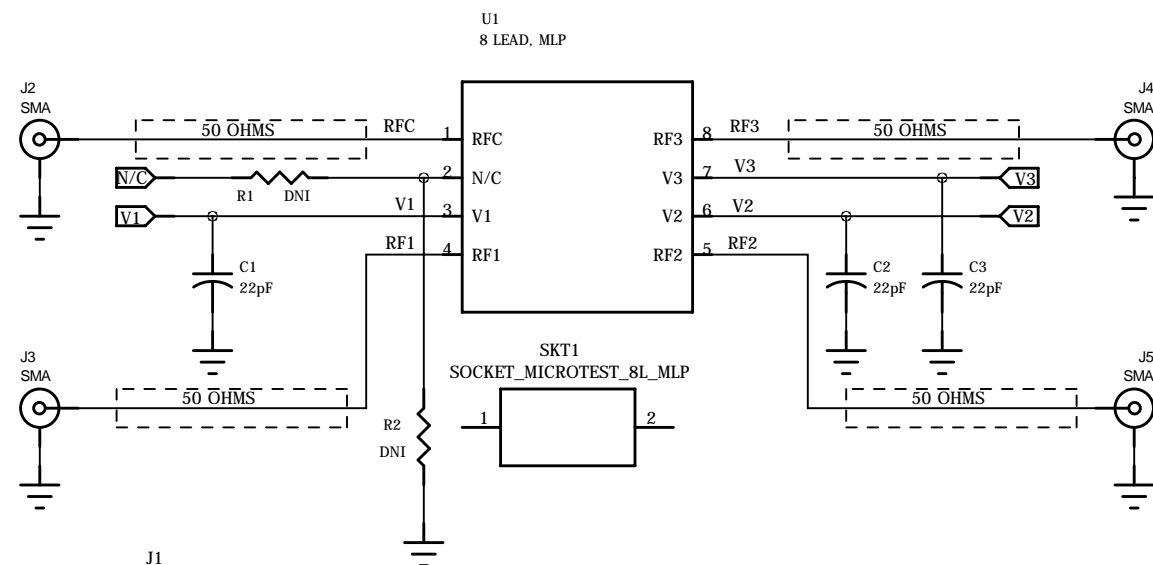
2

1

REVISION RECORD			
LTR	ECO NO:	APPROVED:	DATE:
02	SEE NOTE BELOW	ARMANDO	2-24-12

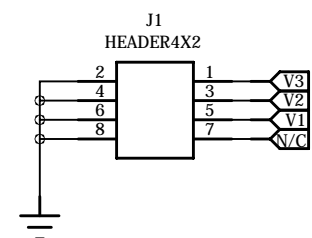
D

D



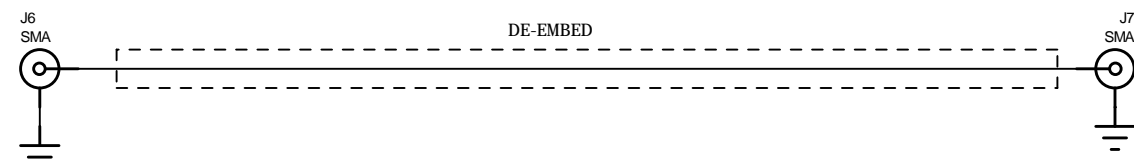
C

C



B

B



NOTE: R1 & R2 REFDES SWAPPED ON PCBs  
 101-0604-01 & 101-0610-01  
 SAME DONE ON THIS SCHEMATIC TO MATCH.  
 THIS IS A TEMPORARY FIX TO AVOID RE-BUILDING PCB.

A

A

USE PCB PART NUMBER: 101-0604-01 & 101-0610-01

DRAWN: JEFF LUNDY	DATED: 4-19-11
CHECKED: FLEMING LAM	DATED: 4-19-11
QUALITY CONTROL:	DATED:
RELEASED:	DATED:

COMPANY: <b>PEREGRINE SEMICONDUCTOR</b>			
TITLE: <b>SCHEMATIC, PE42430 8 LEAD MLP EVK</b>			
CODE:	SIZE:	DRAWING NO: <b>102-0709</b>	REV: <b>02</b>
SCALE:			SHEET: 1 of 1

Item	Qty	Reference	Value	Part Description	Peregrine P/N	Manufacturer	Manufacturer Part Number	Distributor	Distributor Part Number	Data Sheet	Notes
1	1	U1	Ø LEAD, MLP			PEREGRINE SEMI		PEREGRINE SEMI			
2	3	C1-3	225F			MURATA	GRM1555C1H220JZ01D	Digi-Key	490-1283-2-ND	<a href="http://search.digikey.com/scripts/DkSearch/dksus.dll?Detail&amp;name=490-1283-2-ND">http://search.digikey.com/scripts/DkSearch/dksus.dll?Detail&amp;name=490-1283-2-ND</a>	
3	1	J1	HEADER Ø PIN								
4	2	R1-2	DNI	Resistor, DNI,1/16W, ±5%, RoHs, 0402		Panasonic - ECG	ERJ-2GE0R00X	Digi-Key	P0.QJCT-ND	<a href="http://search.digikey.com/scripts/DkSearch/dksus.dll?Detail&amp;name=P0.QJCT-ND">http://search.digikey.com/scripts/DkSearch/dksus.dll?Detail&amp;name=P0.QJCT-ND</a>	
5	6	J2-7	SMA	SMA CONN, 50 OHM END LAUNCH, JACK RECEPTACLE-ROUND CONTACT		Johson Components Inc.	142-0701-801	Digi-Key	J502-ND	<a href="http://rocky.digikey.com/WebLib/Johnson%20Components/Web%20Data/142-0701-801.%20142-0701-806.pdf">http://rocky.digikey.com/WebLib/Johnson%20Components/Web%20Data/142-0701-801.%20142-0701-806.pdf</a>	
6	1	SKT1	IC SOCKET	SOCKET, MICROTTEST, 8L, MLP		MICROTEST					
7	1	PCB		PE42430 1.5x1.5 mm 8LD UDFN	101-0604-01 & 101-0610-01						